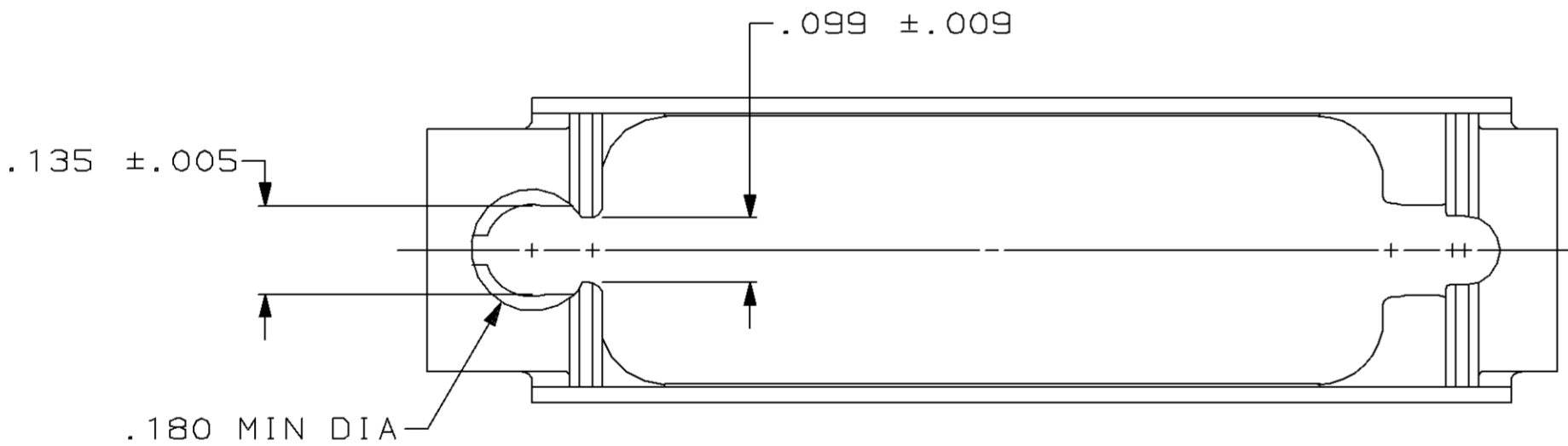
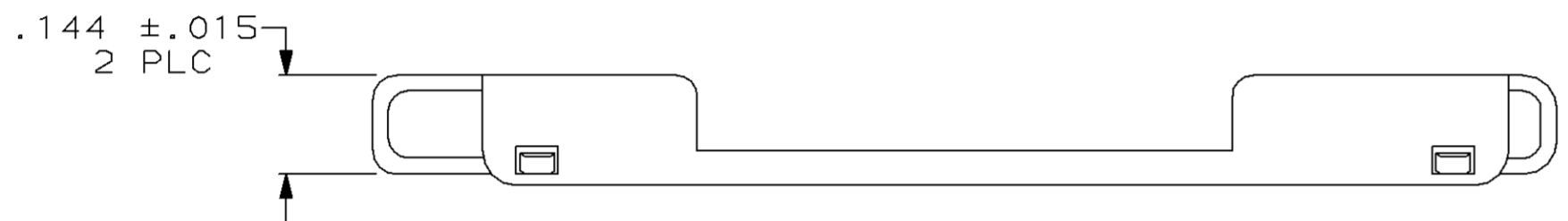
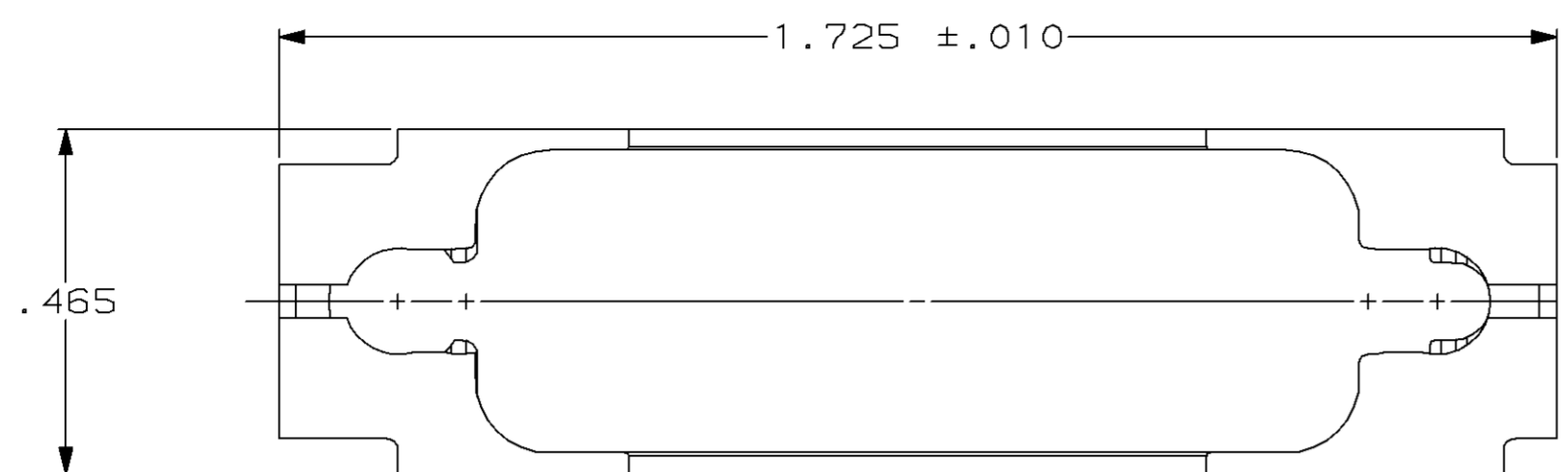


THIS DRAWING IS UNPUBLISHED. RELEASED FOR PUBLICATION ,19 .
 © COPYRIGHT 19 BY AMP INCORPORATED. ALL INTERNATIONAL RIGHTS RESERVED.

LOC	DIST	P	F	ZONE	LTR	DESCRIPTION	DATE	APPD
BD	48					RELEASED	03/29/89	-
						REV PER ECN BD3729	03/12/90	-
						REV PER ECN BD3814	04/10/90	-
						REV PER EC 0020-972-93	07/27/93	SB



749027-1

PART NO

DO NOT SCALE PRINT. UNLESS SPECIFIED DIMENSIONS IN INCHES TOLERANCES ON : 2 PLC DEC ± - 3 PLC DEC ± .005 ANGLES ± -	DR 03/29/89 L.SIPE
MATERIAL STAINLESS STEEL PER ASTM A167	CHK 3-31-89 R. STONE
FINISH -	APPD 3-31-89 J. WESTMAN
	APPD 3-31-89 J. SHOWERS
	PRODUCT SPEC -
	APPLICATION SPEC IS6551
	WEIGHT -

AMP INCORPORATED Harrisburg, Pa. 17105		
NAME SLIDELATCH, SIZE 2, 15 POSN, REINFORCED, UNIVERSAL, ONE PIECE, AMPLIMITE®		
SIZE C	FSCM NO 00779	DRAWING NO 749027
SCALE 4:1	SHEET 1 OF 1	